

金輪牌工業用縫紉機
GOLDEN WHEEL INDUSTRIAL SEWING MACHINE

零件分解圖

PARTS BOOK

MODEL : CS-747

啓翔股份有限公司

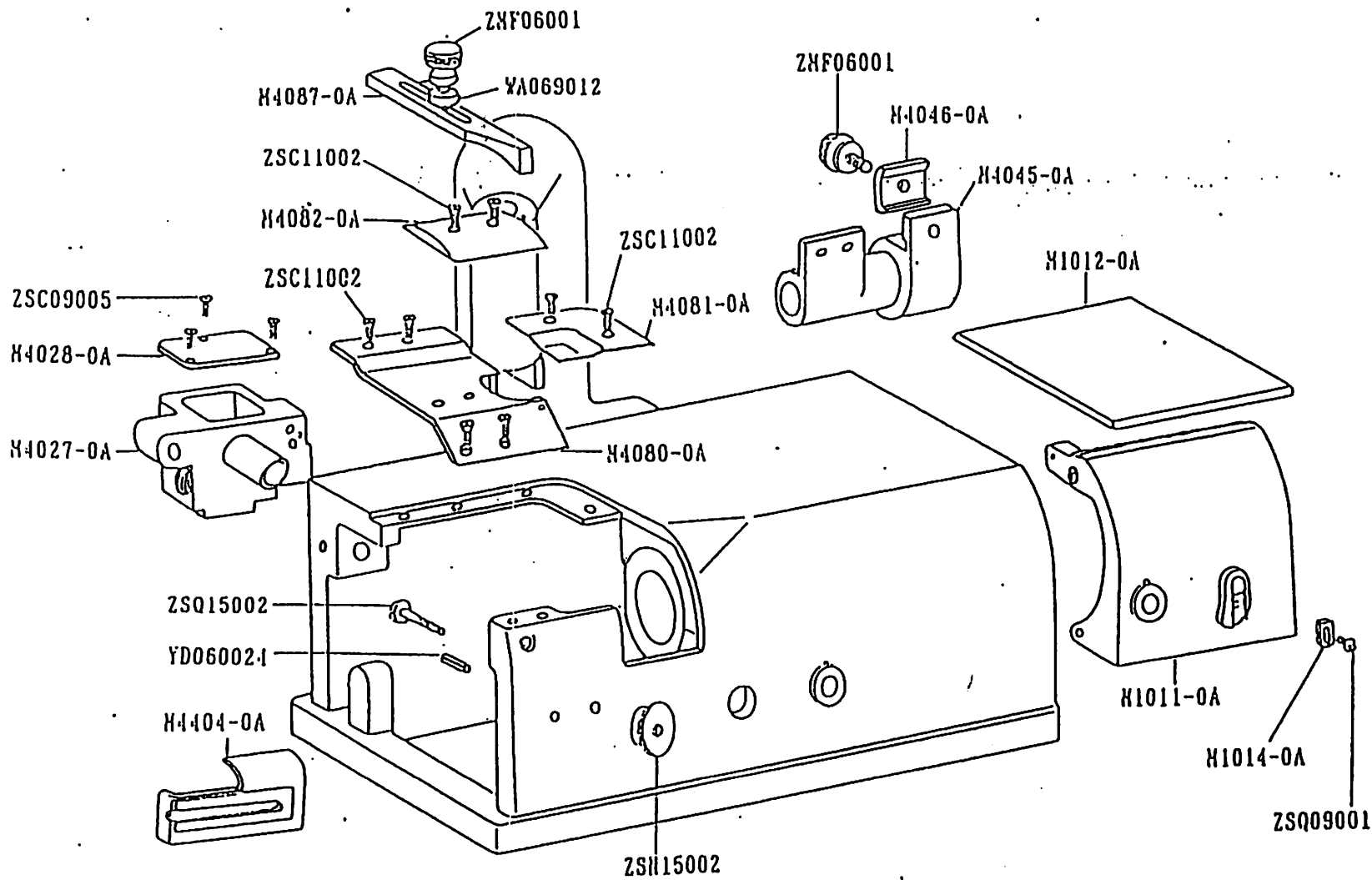
CHEE SIANG INDUSTRIAL CO., LTD.

82.3.23

MODEL : CS - 7 1 7

索 引	INDEX	PAGE
A. 本機部份 -----	ARM BED AND ITS ACCESSORIES -----	2 - 3
B. 押腳機構 -----	PRESSER FOOT MECHANISM -----	4 - 5
C. 刀軸機構 -----	KNIFE SHAFT MECHANISM -----	6 - 9
D. 送料與磨刀機構 -----	FEEDING MECHANISM AND KNIFE GRINDING MECHANISM	10 - 11
E. 磨刀機構 -----	KNIFE GRINDING MECHANISM -----	12 - 13
F. 送料機構 -----	FEEDING MECHANISM -----	14 - 15
G. 送料調整機構 -----	FEED REGULATING MECHANISM -----	16 - 17
II. 附件 -----	ACCESSORIES -----	18 - 19
I. 特別配件組 -----	SPECIAL PARTS -----	20 - 21
J. 零件號碼與頁數對照表 --	NUMERICAL PARTS-LIST -----	22 - 23

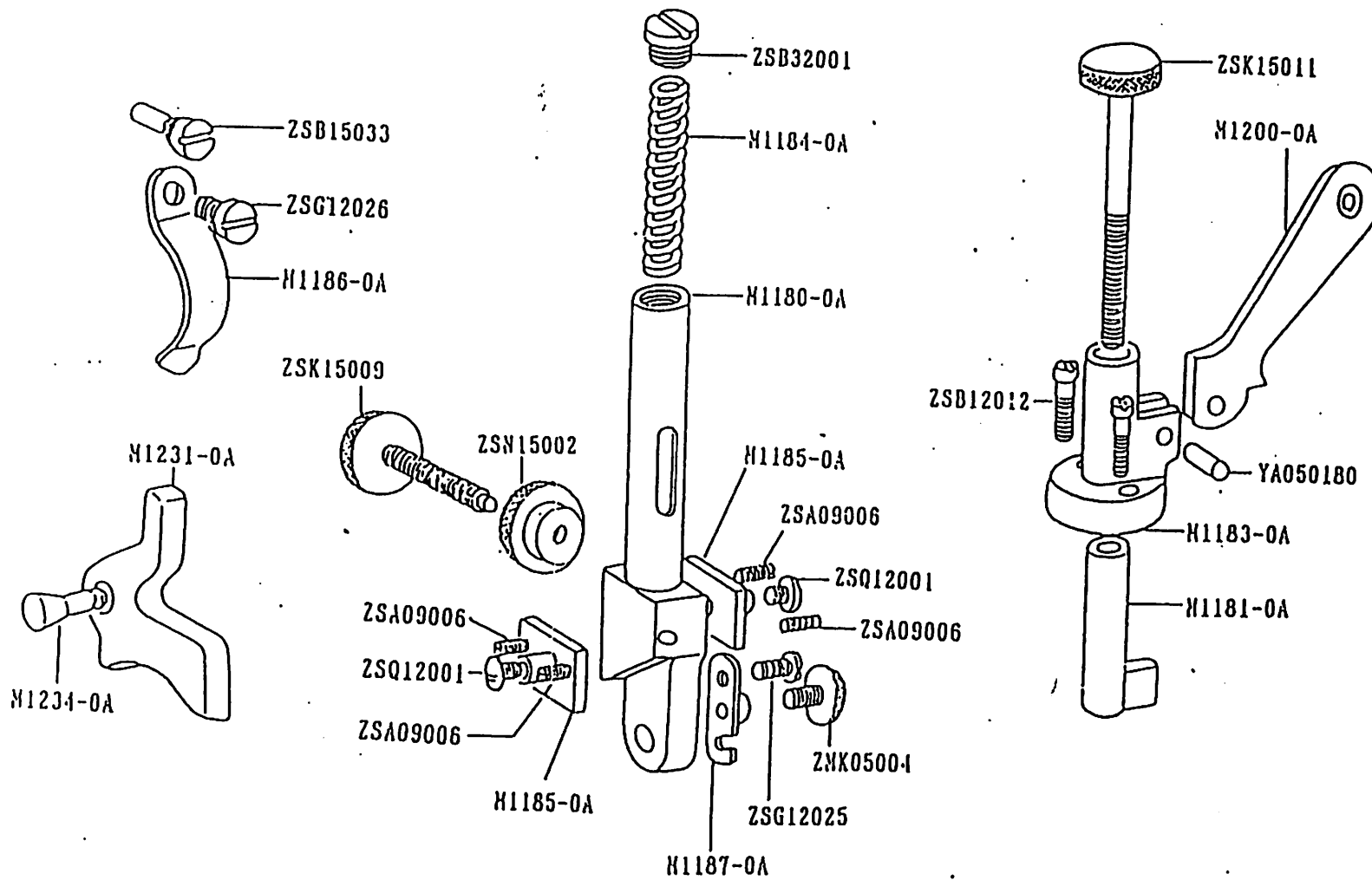
A. CS-747 本機部份. ARM BED AND ITS ACCESSORIES



A. CS-747 本體部份 ARH BED AND ITS ACCESSORIES

零件號碼 Part No..	零件名稱	Name Part	件數 Q'TY	備註 Remarks
H1011-0A	皮帶外蓋	Belt Cover Plate	1	
H1012-0A	皮帶上蓋	Belt Cover lid	1	
H1014-0A	離合器控制塊	Clutch Control Block	1	
H4027-0A	齒輪箱	Worm Gear Box	1	
H4028-0A	齒輪箱蓋	Worm Gear Box Cover	1	
H4045-0A	橫軸後取套	Transmission Shaft	1	
H4046-0A	V皮帶上蓋止塊	Belt Coverlid Stopper	1	
H4080-0A	滑板 A	Slide Plate A	1	
H4081-0A	滑板 B	Slide Plate B	1	
H4082-0A	滑板 C	Slide Plate C	1	
H4087-0A	定規	Ruler	1	
H4404-0A	切屑止擋板	Waste Feeder Metals	1	
VA069012	平墊圈	Washer	1	
YD060024	彈簧銷	Spring Pin	1	
ZHF06001	螺絲	Screw (H6#1.0#17)	2	
ZSC09005	螺絲	Screw (9/64-40#7.5)	3	
ZSC11002	螺絲	Screw (11/64-40#9)	8	
ZSH15002	螺帽	Nut (15/64-28#12)	1	
ZSQ09001	螺絲	Screw (9/64-40#6)	1	
ZSQ15002	螺絲	Screw (15/64-28#31)	1	

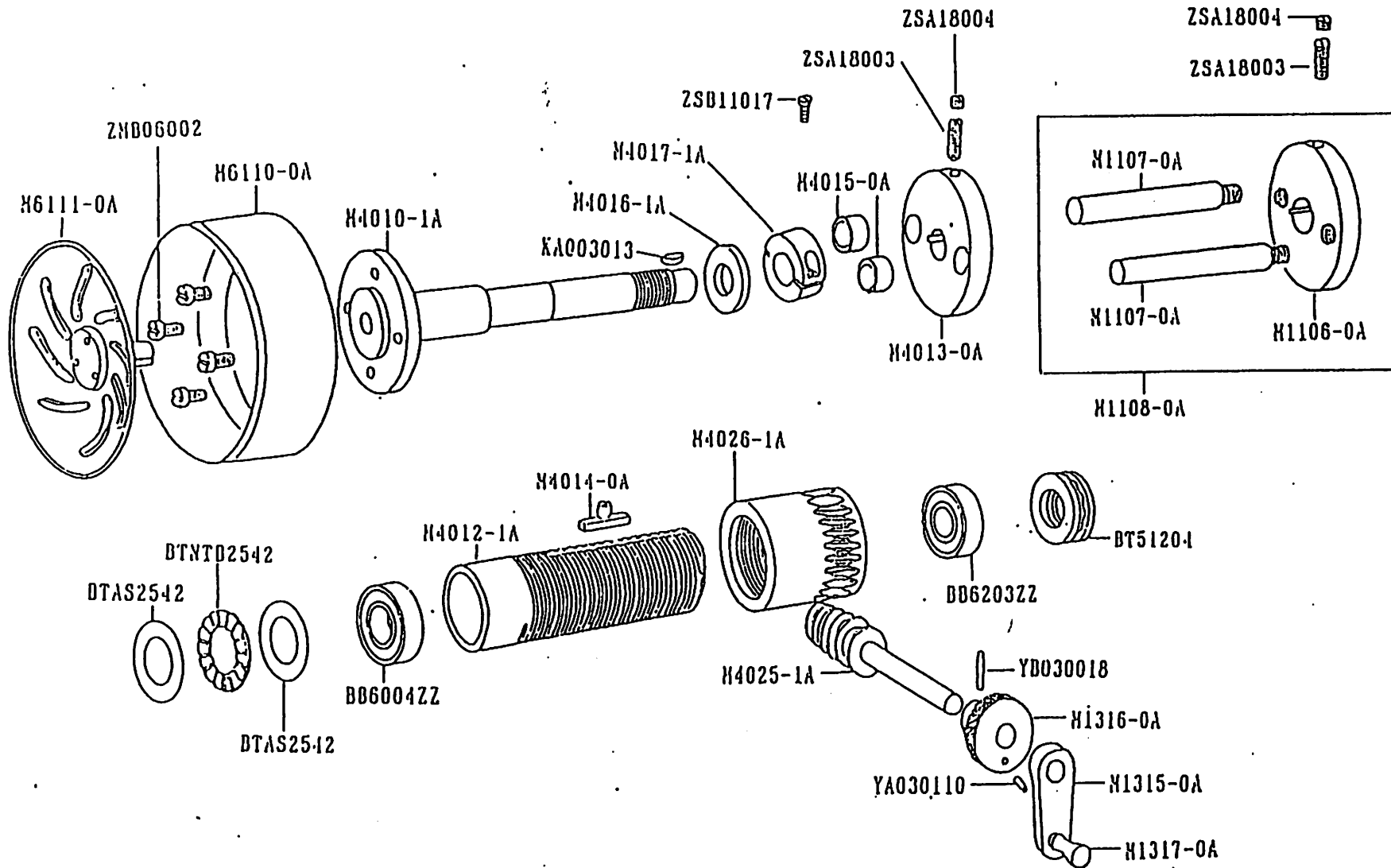
147 脚踏机构 PRESSER FOOT MECHANISM



B. CS-747 押脚機機 PRESSER FOOT MECHANISM

零件號碼 Part No.	零件名稱	Name Part	件數 Q'TY	備註 Remarks
H1180-0A	押棒	Presser Bar	1	
H1181-0A	押棒托棒	Presser Bar Lifter Lever	1	
H1183-0A	押棒托架	Presser Bar Lifter Bracket	1	
H1184-0A	壓縮彈簧	Presser Bar Spring	1	
H1185-0A	押棒固定板	Presser Foot Side Plates	2	
H1186-0A	押脚彈簧板	Presser Foot Spring	1	
H1187-0A	押脚軸掛鉤	Presser Foot Shaft Hook Metal	1	
H1200-0A	押棒提棒	Presser Bar Lifter	1	
H1231-0A	押脚	Presser Foot	1	
H1234-0A	押脚軸	Presser Foot Shaft	1	
YA050180	平行銷	Pin	1	
ZHK05004	螺絲	Screw (H5#0.9#11)	1	
ZSA09006	螺絲	Screw (9/64-40#10)	4	
ZSB12012	螺絲	Screw (3/16-28#15)	2	
ZSB15033	螺絲	Screw (15/64-28#23)	1	
ZSB32001	螺絲	Screw (1/2-28#13.5)	1	
ZSG12025	螺絲	Screw (3/16-26)	1	
ZSG12026	螺絲	Screw (3/16-32)	1	
ZSK15009	螺絲	Screw (15/64-28)	1	
ZSK15011	螺絲	Screw (15/64-28)	1	
ZSH15002	螺帽	Nut (15/64-28#12)	1	
ZSQ12001	螺絲	Screw (3/16-28#5.4)	2	

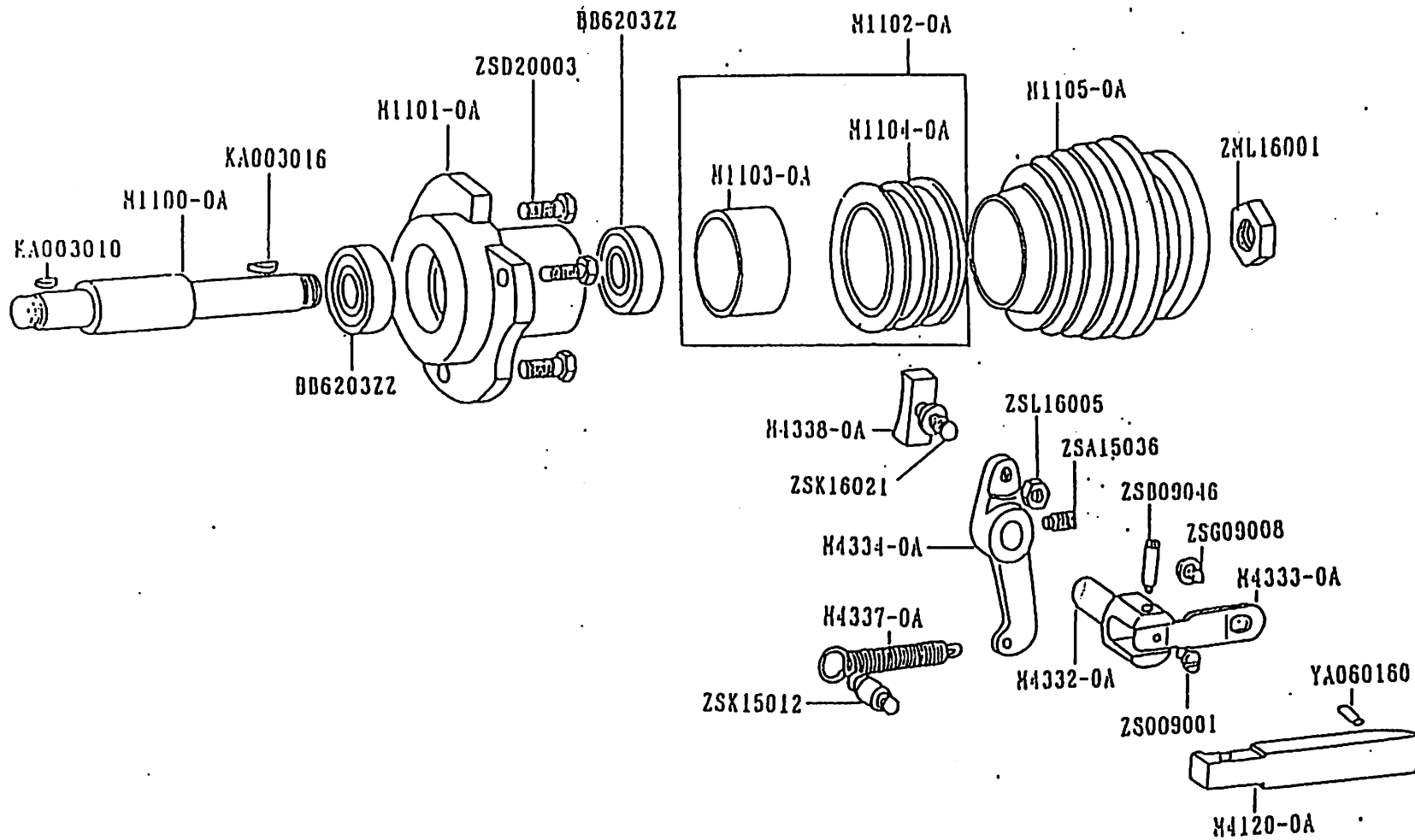
C. CS-747 刀軸機構 . KNIFE SHAFT MECHANISM



C. CS-747 刀軸機構 KNIFE SHAFT MECHANISM

零件號碼 Part No.	零件名稱	Name Part	作致 Q'TY	備註 Remarks
BB6004ZZ	滾珠軸承	Ball Bearing	1	
BB6203ZZ	滾珠軸承	Ball Bearing	1	
BT51-204	止推軸承	Thrust Bearing	1	
BTAS2542	止推軸承	Thrust Bearing	1	
BTHTB2542	止推軸承	Thrust Bearing	1	
KA003013	半圓形鍵	Knife Shaft Key	1	
H1106-0A	聯結板 (右)	Pulley Shaft Flange	2	
H1107-0A	固定軸	Flange Shafts	1	
H1108-0A	聯結板組	Pulley Shaft Flange Assy.	1	
H1315-0A	刀片調整把手	Knife Adjusting Handle	1	
H1316-0A	刀片調整球形柄	Knife Adjusting Knob	1	
H1317-0A	刀片調整把手柄	Knife Adjusting Handle Knob	1	
H4010-1A	刀軸	Knife Shaft	1	
H4012-1A	刀軸套筒	Knife Shaft Lead Pipe	1	
H4013-0A	聯結板 (左)	Pulley Shaft Flange Holder	1	
H4014-0A	刀軸套筒鍵	Knife Shaft Lead Pipe Key	1	
H4015-0A	優力膠圈	Rubber Bushings	2	
H4016-1A	墊圈	Washer	1	
H4017-1A	防振螺帽	Nut	1	
H4025-1A	刀軸蝸桿	Knife Shaft Worm	1	
H6110-0A	刀片	Knife	1	
H6111-0A	刀片盤組	Knife Inner Cover	1	
YA030110	平行銷	Pin	1	
YB030018	推拔銷	Taper Pin	1	
ZHB06002	螺絲	Screw (M6*1.0*10)	4	
ZSA18003	螺絲	Screw (9/32-28*19)	2	
ZSA18004	螺絲	Screw (9/32-28*4.5)	2	
ZSB11017	螺絲	Screw (11/64-40*12)	1	

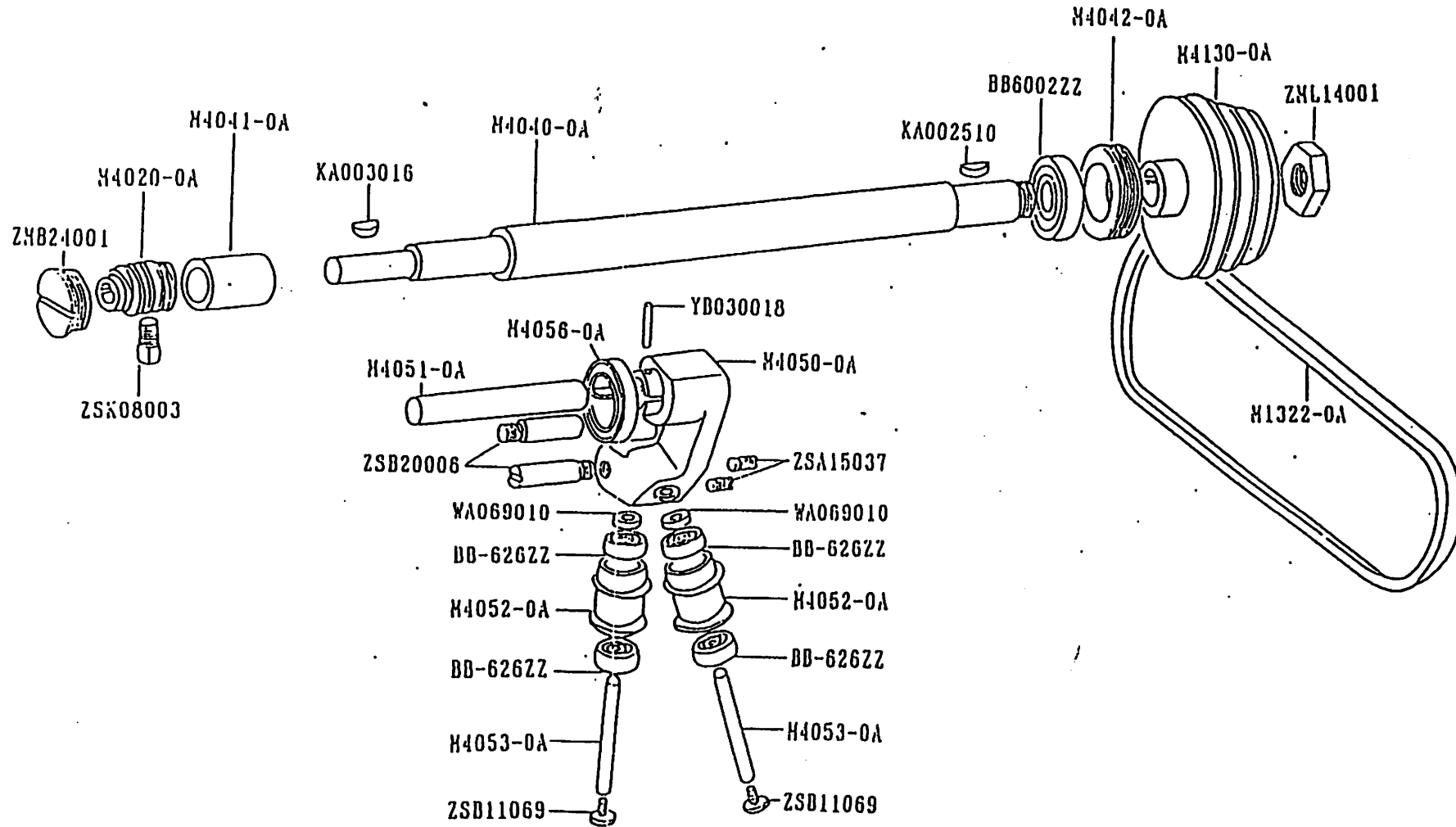
C: CS-747 刀轴机构 KNIFE SHAFT MECHANISM



C. CS-747 刀軸機構 KNIFE SHAFT MECHANISM

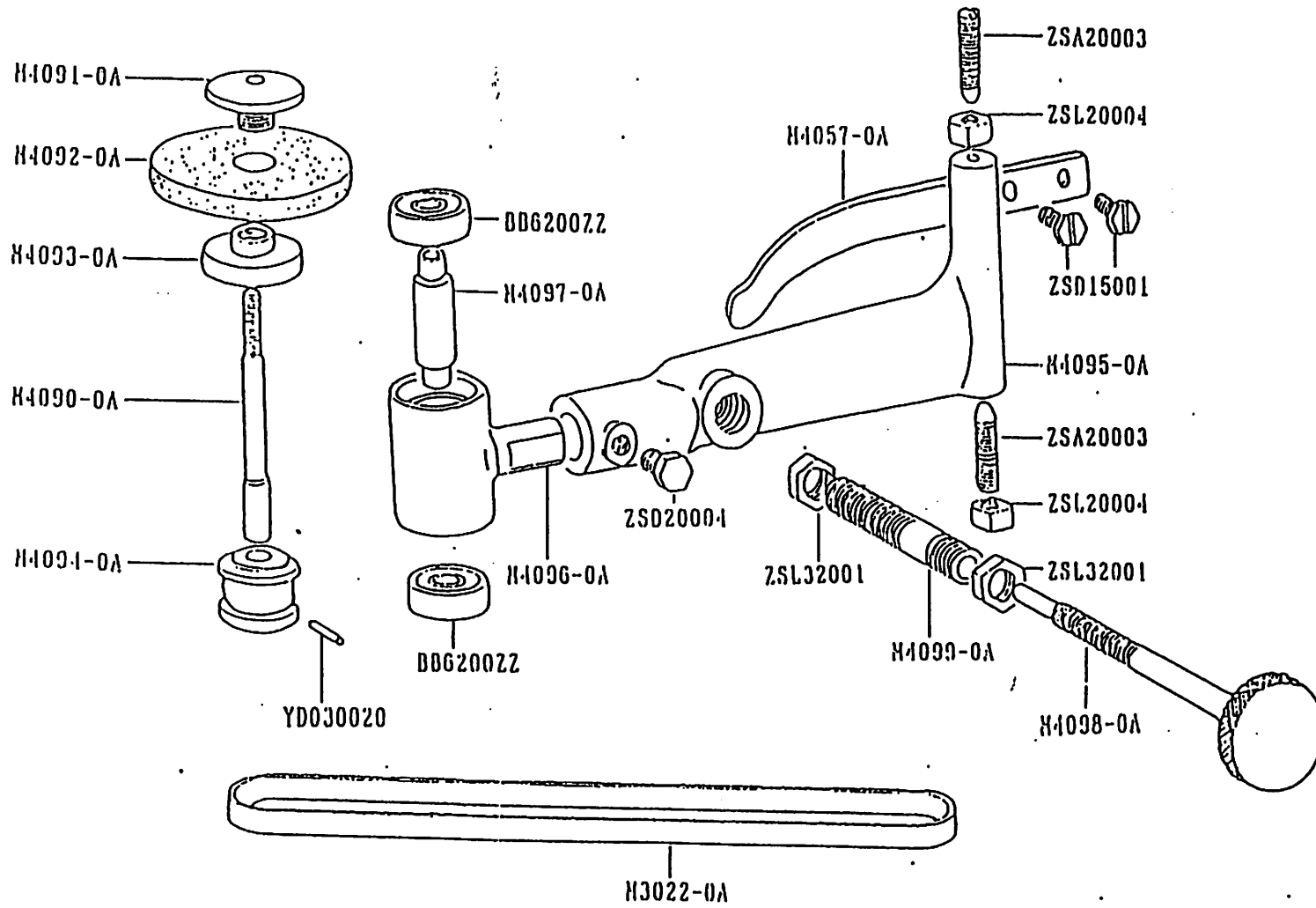
零件號碼 Part No.	零件名稱	Name Part	件數 Q'TY	備註 Remarks
BB6203ZZ	滾珠軸承	Pulley Shaft Bearings	2	
KA003010	半圓形鍵	Pulley Shaft Key (Small)	1	
KA003016	半圓形鍵	Pulley Shaft Key (Large)	1	
H1100-0A	V皮帶輪軸	Pulley Shaft	1	
H1101-0A	V皮帶輪軸套管	Pulley Shaft Metal	1	
H1102-0A	離合器組	Clutch Assy.	1	
H1103-0A	離合器墊環	Clutch Bushing	1	
H1104-0A	離合器	Clutch	1	
H1105-0A	V皮帶輪	Pulley	1	
H4120-0A	離合器把手	Clutch Lever	1	
H4332-0A	離合器把手軸	Clutch Lever Shaft	1	
H4333-0A	離合器彈簧板	Clutch Lever Spring	1	
H4334-0A	離合器臂	Clutch Arm	1	
H4337-0A	離合器拉伸彈簧	Clutch Spring	1	
H4338-0A	滑動塊	Clutch Slide Block	1	
YA060160	平形銷	Pin	1	
ZHL16001	螺帽	Nut (M16*1.5*7)	1	
ZSA15036	螺絲	Screw (15/64-28*11)	1	
ZSB09046	螺絲	Screw (9/64-40*3)	1	
ZSD20003	螺絲	Screw (5/16-24*13)	3	
ZSG09008	螺絲	Screw (9/64-40)	1	
ZSK15012	螺絲	Screw (15/64-28)	1	
ZSK16021	螺絲	Screw (1/4-40)	1	
ZSL16005	螺帽	Nut (1/4-40*4)	1	
ZSQ09001	螺絲	Screw (9/64-40*6)	1	

科與磨刀機機 FEEDING MECHANISM AND KNIFE GRINDING MECHANISM



D. CS-747 送料與磨刀機構 FEEDING MECHANISM AND KNIFE GRINDING MECHANISM

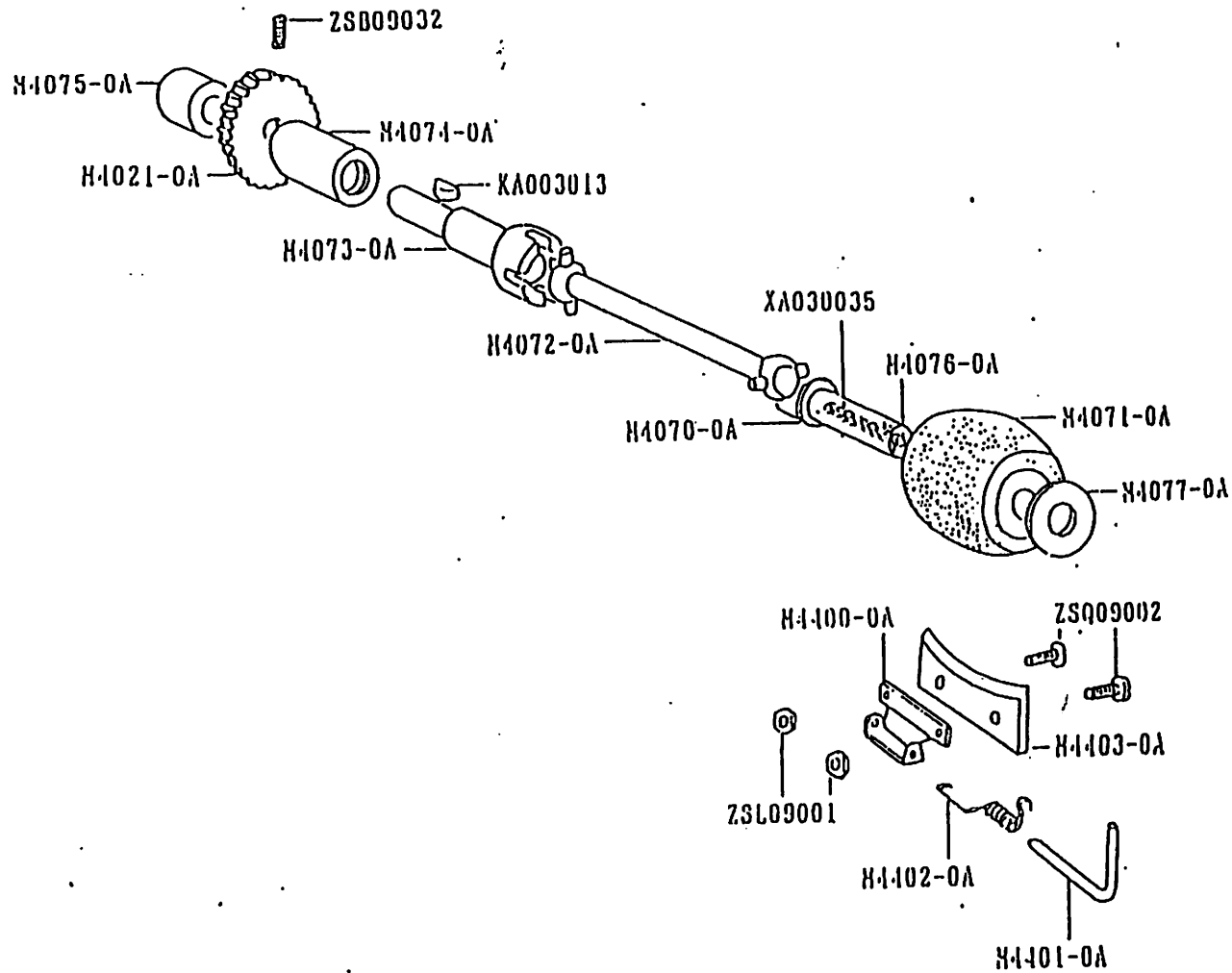
零件號碼 Part No.	零件名稱	Name Part	件數 Q'TY	備註 Remarks
BB-6262Z	滾珠軸承	Pulley Shaft Bearings	4	
BB6002ZZ	滾珠軸承	Pulley Shaft Bearings	1	
KA002510	半圓形鍵	Knife Shaft Key	1	
KA003016	半圓形鍵	Knife Shaft Key	1	
H1322-0A	橫軸V皮帶	Main Shaft Belt	1	
H4020-0A	橫軸齒輪	Main Shaft Worm Gear	1	
H4040-0A	橫軸	Main Shaft	1	
H4041-0A	橫軸前套管	Main Shaft Front Bushing	1	
H4042-0A	押緊軸承螺絲	Main Shaft Bushing Holder Screw	1	
H4050-0A	平皮帶定位托架	Belt Guide Bracket	1	
H4051-0A	平皮帶定位托架軸	Belt Guide Bracket Shaft	1	
H4052-0A	平皮帶輪	Belt Guide Pulleys	2	
H4053-0A	平皮帶輪軸	Belt Guide Pulley Shafts	2	
H4058-0A	平皮帶托架彈簧	Belt Guide Bracket Spring	1	
H4130-0A	V型皮帶輪	Main Shaft Pulley	1	
WA069010	平墊圈	Washer	2	
YB030018	推拔銷	Taper Pin	1	
ZHD24001	螺絲	Screw (M24#1.0#7)	1	
ZHL14001	螺帽	Nut (M14#1.5#8)	1	
ZSA15037	螺絲	Screw (15/64-28#10.5)	2	
ZSB11069	螺絲	Screw (11/64-40#6)	2	
ZSB20006	螺絲	Screw (5/16-24#8)	2	
ZSK08003	螺絲	Screw (1/8-28)	1	



E. CS-747 磨刀機架 KNIFE GRINDING MECHANISM

零件號碼 Part No.	零件名稱	Name Part	件數 Q'TY	備註 Remarks
BB6200ZZ	滾珠軸承	Pulley Shaft Bearings	2	
H3022-0A	磨刀石軸平皮帶	Grindstone Shaft Belt	1	
H4057-0A	磨刀石軸托架臂彈簧	Grindstone Shaft Bracket Arm Spring	1	
H4090-0A	磨刀石軸	Grindstone Shaft	1	
H4091-0A	磨刀石固定螺絲	Grindstone Set Screw	1	
H4092-0A	磨刀石	Grindstone	1	
H4093-0A	磨刀石固定螺帽	Grindstone Set Nut	1	
H4094-0A	磨刀石軸平皮帶輪	Grindstone Shaft Pulley	1	
H4095-0A	磨刀石軸托架臂	Grindstone Shaft Bracket Arm	1	
H4096-0A	磨刀石軸托架	Grindstone Shaft Bracket	1	
H4097-0A	磨刀石軸定位柱	Grindstone Shaft Bearing Holding Roller	1	
H4098-0A	磨刀石軸調整螺絲	Grindstone Adjusting Screw	1	
H4099-0A	磨刀石軸調整螺帽	Grindstone Adjusting Screw Pipe	1	
YD030020	彈簧銷	Spring	1	
ZSA20003	螺絲	Screw (5/16-24#32)	2	
ZSD15001	螺絲	Screw (15/64-28#14)	2	
ZSD20004	螺絲	Screw (5/16-24#13)	1	
ZSL20004	螺帽	Nut (5/16-24#7)	2	
ZSL32001	螺帽	Nut (1/2-28#7)	2	

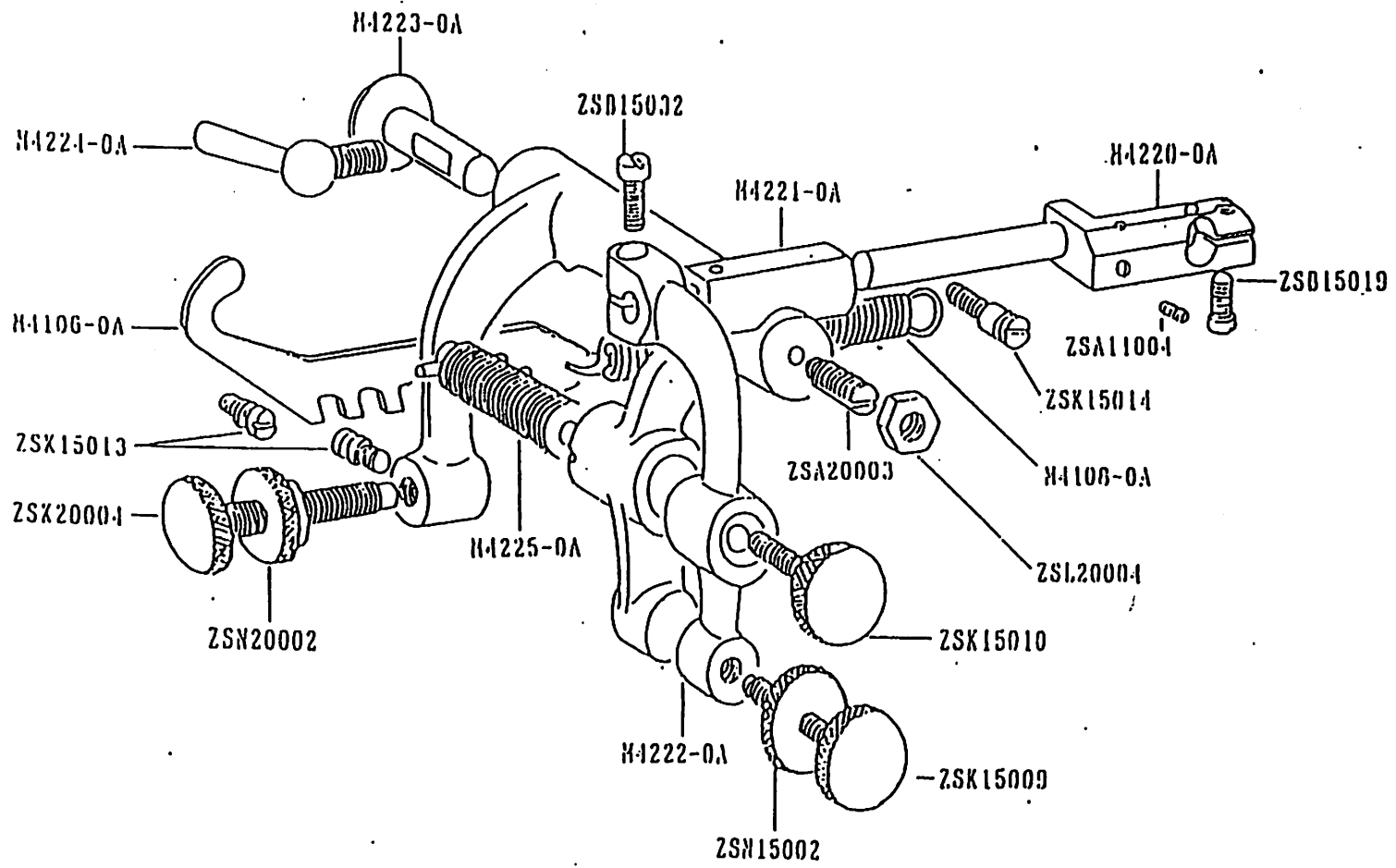
F. CS-747 送料機構 FEEDING MECHANISM



F. CS-747 送料機構 FEEDING MECHANISM

零件號碼 Part No.	零件名稱	Name Part	件數 Q'TY	備註 Remarks
KA003013	半圓形 軸	Pulley Shaft Bearings	1	
H4021-0A	蝸輪	Main Shaft Worm Gear Wheel	1	
H4070-0A	滾輪軸	Roller Shaft	1	
H4071-0A	滾輪	Roller	1	
H4072-0A	驅動軸 連接桿	Roller Driving Shaft Join	1	
H4073-0A	滾輪 驅動軸	Roller Driving Shaft	1	
H4074-0A	驅動軸 套管 (1)	Roller Driving Shaft Metal (1)	1	
H4075-0A	驅動軸 套管 (2)	Roller Driving Shaft Metal (2)	1	
H4076-0A	蓋頭	Roller Shaft Oil Seal Plug	1	
H4077-0A	平墊圈	Roller Washer	1	
H4400-0A	消除固定板	Waste Clear Metal	1	
H4401-0A	固定軸	Waste Clear Metal Shaft	1	
H4402-0A	彈簧	Waste Clear Metal Spring	1	
H4403-0A	消除板	Waste Clear Metal Leather	1	
XA030035	油線	Wick	1	
ZSD09032	螺絲	Screw (9/64-40#8.5)	1	
ZSL09001	螺帽	Nut (9/64-40#3)	2	
ZSQ09002	螺絲	Screw (9/64-40#9.5)	2	

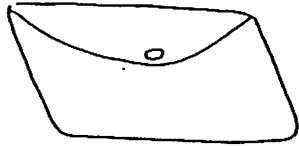
G. CS-747 送料調整機構 FEED REGULATING MECHANISM



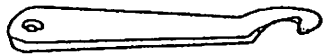
G. CS-747 送料調整機構 FEED REGULATING MECHANISM

零件號碼 Part No.	零件名稱	Name Part	件數 Q'TY	備註 Remarks
H4106-0A	拉伸彈簧掛鉤 ---	Roller Bracket Arm Spring Hook Metal	1	
H4108-0A	拉伸彈簧 / -----	Roller Bracket Arm Spring -----	1	
H4220-0A	滾輪托架 -----	Roller Bracket -----	1	
H4221-0A	滾輪托架臂 -----	Roller Bracket Arm -----	1	
H4222-0A	滾輪托架轉臂 -	Roller Bracket Turning Arm -----	1	
H4223-0A	托架臂中心銷 ---	Roller Bracket Arm Center Pin -----	1	
H4224-0A	固定螺絲 -----	Roller Bracket Arm Center Pin Screw	1	
H4225-0A	拉伸彈簧組 -----	Roller Bracket Turning Arm Spring --	1	
ZSA11004	螺絲 -----	Screw (11/04-40#3.5) -----	1	
ZSA20003	螺絲 -----	Screw (5/16-24#32) -----	1	
ZSD15019	螺絲 -----	Screw (15/64-28)#9) -----	1	
ZSD15032	螺絲 -----	Screw (15/64-28)#14) -----	1	
ZSK15009	螺絲 -----	Screw (15/64-28) -----	1	
ZSK15010	螺絲 -----	Screw (15/64-28) -----	1	
ZSK15013	螺絲 -----	Screw (15/64-28) -----	2	
ZSK15014	螺絲 -----	Screw (15/64-28) -----	1	
ZSK20004	螺絲 -----	Screw (5/16-24) -----	1	
ZSI20004	螺帽 -----	Nut (5/16-24#7) -----	1	
ZSH15002	螺帽 -----	Nut (15/64-28#12) -----	1	
ZSH20002	螺帽 -----	Nut (5/16-24#11) -----	1	

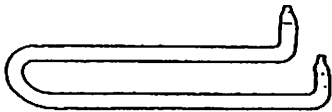
II. CS-747 附件 ACCESSORIES



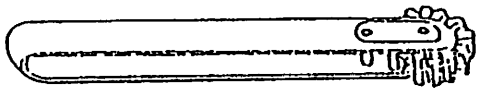
A7000-0A



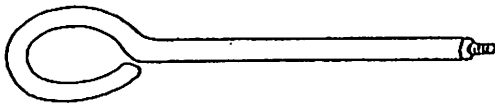
H7113-0A



H7112-0A



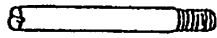
H7110-0A



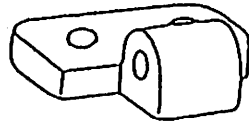
H7114-0A



A7010-2A



H7021-0A



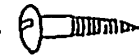
H7022-0A



A7012-1A



H7117-0A



ZHT06001

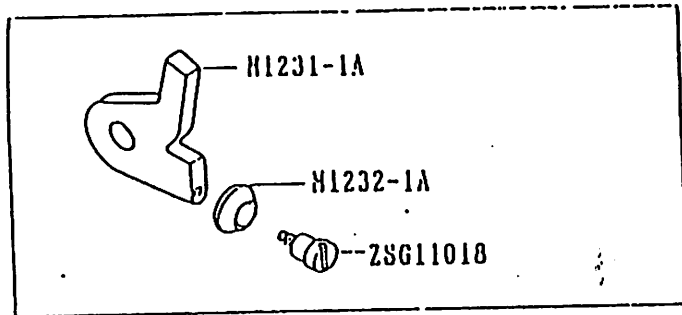


H1231-0A

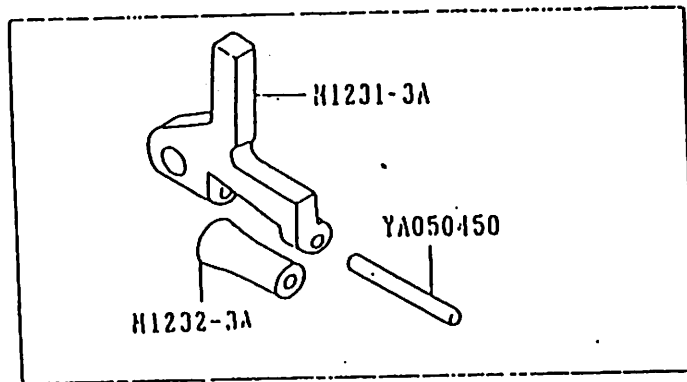
II. CS-747 附件 ACCESSORIES

零件號碼 Part No.	零件名稱	Name Part	件數 Q'TY	備註 Remarks
A7000-0A	工具袋	Accessory Bag	1	
A7010-2A	螺絲起子(大)	Driver (Large)	1	
A7012-1A	油葦(中)	Oiler (Middle)	1	
H1231-0A	押板	Pulley Shaft Flange Screws	1	
H7021-0A	後鈕固定銷	Hinge Pins	2	
H7022-0A	後鈕座	Hinges	2	
H7110-0A	磨刀石修平器	Grindstone Dresser	1	
H7117-0A	磨刀石帶組	Bar Type Grindstone	1	
H7142-0A	磨刀石起子	Grindstone Nut Spanner	1	
H7143-0A	刀軸螺帽扳手	Knife Shaft Spanner	1	
H7144-0A	刀片蓋棒	Knife Inner Cover Removr	1	
ZHT06001	木螺絲	Screw - 5.5#25	4	

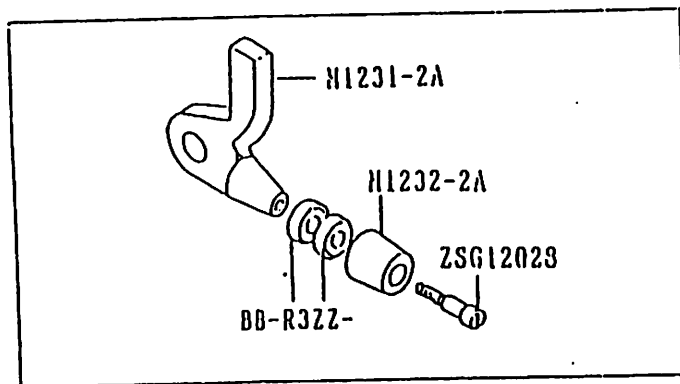
.. CS-747 特別配件組 SPECIAL PARTS



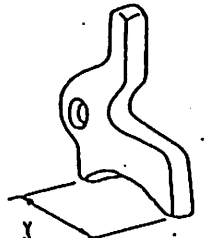
H1230-1A

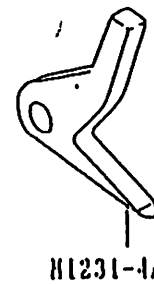


H1230-3A



H1230-2A

		
H1231-0A		
NO.	X SPECIFICATION	PART NO.
A	56	H1231-010A
B	40	H1231-020A
C	30	H1231-030A
D	25	H1231-040A



H1231-4A

I. CS-747 特別配件組 SPECIAL PARTS

零件號碼 Part No.	零件名稱	Name Part	件數 Q'TY	備註 Remarks
DB-R3ZZ-	滾珠軸承	Pulley Shaft Bearings	1	
H1230-1A	抑腳組	Presser Foot Assy.	1	
H1230-2A	抑腳組	Presser Foot Assy.	1	
H1230-3A	抑腳組	Presser Foot Assy.	1	
H1231-0A	抑腳	Presser Foot	1	
H1231-010A	抑腳 A	Presser Foot 56mm	1	
H1231-020A	抑腳 B	Presser Foot 40mm	1	
H1231-030A	抑腳 C	Presser Foot 30mm	1	
H1231-040A	抑腳 D	Presser Foot 25mm	1	
H1231-1A	抑板	Presser Foot	1	
H1231-2A	抑板	Presser Foot	1	
H1231-3A	抑板	Presser Foot	1	
H1231-4A	抑板	Presser Foot	1	
H1232-1A	滾輪	Roller	1	
H1232-2A	滾輪	Roller	1	
H1232-3A	滾輪	Roller	1	
YA050450	平行銷	Pin	1	
ZSG11018	螺絲	Screw (11/64-40)	1	
ZSG12028	螺絲	Screw (3/16-24)	1	

J. CS-747 零件號碼與頁數對照表

NUMERICAL PARTS-LIST

零件號碼 PART NO.	頁數 PAGE	零件號碼 PART NO.	頁數 PAGE	零件號碼 PART NO.	頁數 PAGE	零件號碼 PART NO.	頁數 PAGE
A7000-0A	--- 13	H1106-0A	--- 6	H1232-3A	--- 20	H4050-0A	--- 10
A7010-2A	--- 18	H1107-0A	--- 6	H1234-0A	--- 4	H4051-0A	--- 10
A7012-1A	--- 18	H1108-0A	--- 6	H1315-0A	--- 6	H4052-0A	--- 10
BB-626ZZ	--- 10	H1180-0A	--- 4	H1316-0A	--- 6	H4053-0A	--- 10
BB-R3Z7-	--- 20	H1181-0A	--- 4	H1317-0A	--- 6	H4056-0A	--- 10
BBG002ZZ	--- 10	H1183-0A	--- 4	H1322-0A	--- 10	H4057-0A	--- 12
BB6004ZZ	--- 6	H1184-0A	--- 4	H3022-0A	--- 12	H4070-0A	--- 14
BBG200ZZ	--- 12	H1185-0A	--- 4	H4010-1A	--- 6	H4071-0A	--- 14
BBG203ZZ	--- 6, 8	H1186-0A	--- 4	H4012-1A	--- 6	H4072-0A	--- 14
BT51204-	--- 6	H1187-0A	--- 4	H4013-0A	--- 6	H4073-0A	--- 14
BTAS2542	--- 6	H1200-0A	--- 4	H4014-0A	--- 6	H4074-0A	--- 14
BTHTB2542	-- 6	H1230-1A	--- 20	H4015-0A	--- 6	H4075-0A	--- 14
KA002510	--- 10	H1230-2A	--- 20	H4016-1A	--- 6	H4076-0A	--- 14
KA003010	--- 8	H1230-3A	--- 20	H4017-1A	--- 6	H4077-0A	--- 14
KA003013	--- 6, 14	H1231-0A	--- 4, 18, 20	H4020-0A	--- 10	H4080-0A	--- 2
KA003016	--- 8, 10	H1231-010A	-- 20	H4021-0A	--- 14	H4081-0A	--- 2
H1011-0A	--- 2	H1231-020A	-- 20	H4025-1A	--- 6	H4082-0A	--- 2
H1012-0A	--- 2	H1231-030A	-- 20	H4026-1A	--- 6	H4087-0A	--- 2
H1014-0A	--- 2	H1231-040A	-- 20	H4027-0A	--- 2	H4090-0A	--- 12
H1100-0A	--- 8	H1231-1A	--- 20	H4028-0A	--- 2	H4091-0A	--- 12
H1101-0A	--- 8	H1231-2A	--- 20	H4040-0A	--- 10	H4092-0A	--- 12
H1102-0A	--- 8	H1231-3A	--- 20	H4041-0A	--- 10	H4093-0A	--- 12
H1103-0A	--- 8	H1231-4A	--- 20	H4042-0A	--- 10	H4094-0A	--- 12
H1104-0A	--- 8	H1232-1A	--- 20	H4045-0A	--- 2	H4095-0A	--- 12
H1105-0A	--- 8	H1232-2A	--- 20	H4046-0A	--- 2	H4096-0A	--- 12

J. CS-747 零件號碼與頁數對照表

NUMERICAL PARTS-LIST

零件號碼 PART NO.	頁數 PAGE	零件號碼 PART NO.	頁數 PAGE	零件號碼 PART NO.	頁數 PAGE	零件號碼 PART NO.	頁數 PAGE
H4097-0A	--- 12	H7021-0A	--- 18	ZSA11004	--- 16	ZSG12028	--- 20
H4098-0A	--- 12	H7022-0A	--- 18	ZSA15036	--- 8	ZSK08003	--- 10
H4099-0A	--- 12	H7110-0A	--- 18	ZSA15037	--- 10	ZSK15009	--- 4, 16
H4106-0A	--- 16	H7117-0A	--- 18	ZSA18003	--- 6	ZSK15010	--- 16
H4108-0A	--- 16	H7142-0A	--- 18	ZSA18004	--- 6	ZSK15011	--- 4
H4120-0A	--- 8	H7143-0A	--- 18	ZSA20003	--- 12, 16	ZSK15012	--- 8
H4130-0A	--- 10	H7144-0A	--- 18	ZSB09032	--- 14	ZSK15013	--- 16
H4220-0A	--- 16	WA069010	--- 10	ZSB09046	--- 8	ZSK15014	--- 16
H4221-0A	--- 16	WA069012	--- 2	ZSB11069	--- 10	ZSK16021	--- 8
H4222-0A	--- 16	XA030035	--- 14	ZSB11017	--- 6	ZSK20004	--- 16
H4223-0A	--- 16	YA030110	--- 6	ZSB12012	--- 4	ZSL09001	--- 14
H4224-0A	--- 16	YA050180	--- 4	ZSB15019	--- 16	ZSL16005	--- 8
H4225-0A	--- 16	YA050450	--- 20	ZSB15032	--- 16	ZSL20004	--- 12, 16
H4332-0A	--- 8	YA060160	--- 8	ZSB15033	--- 4	ZSL32001	--- 12
H4333-0A	--- 8	YB030018	--- 6, 10	ZSB20006	--- 10	ZSH15002	--- 2, 4, 16
H4334-0A	--- 8	YD030020	--- 12	ZSB32001	--- 4	ZSH20002	--- 16
H4337-0A	--- 8	YD060024	--- 2	ZSC09005	--- 2	ZSQ09001	--- 2, 8
H4338-0A	--- 8	ZHB06002	--- 6	ZSC11002	--- 2	ZSQ09002	--- 14
H4400-0A	--- 14	ZHB24001	--- 10	ZSD15001	--- 12	ZSQ12001	--- 4
H4401-0A	--- 14	ZHF00001	--- 2	ZSD20003	--- 3	ZSN15002	--- 2
H4402-0A	--- 14	ZHK05004	--- 4	ZSD20004	--- 12		
H4403-0A	--- 14	ZHL14001	--- 10	ZSG09008	--- 8		
H4404-0A	--- 2	ZHL16001	--- 8	ZSG11018	--- 20		
H6110-0A	--- 6	ZHT06001	--- 18	ZSG12025	--- 4		
H6111-0A	--- 6	ZSA09006	--- 4	ZSG12026	--- 4		